

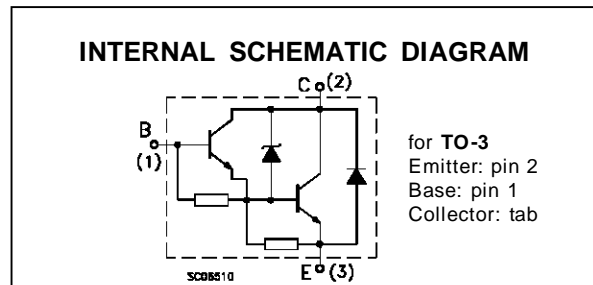
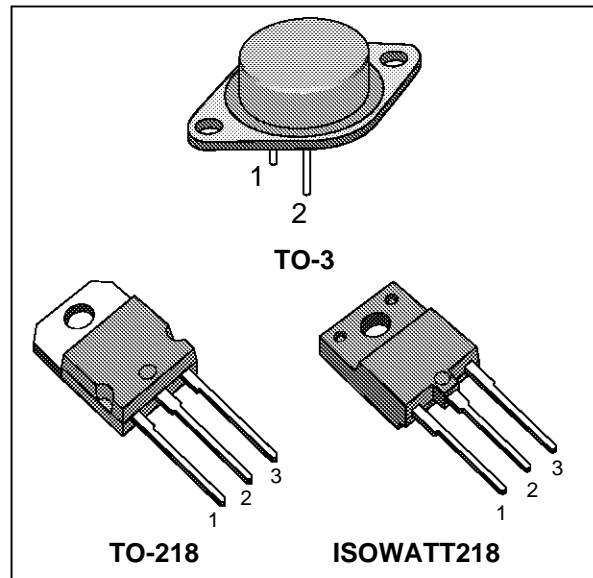
## HIGH VOLTAGE IGNITION COIL DRIVER NPN POWER DARLINGTON

PRELIMINARY DATA

- VERY RUGGED BIPOLAR TECHNOLOGY
- BUILT IN CLAMPING ZENER
- HIGH OPERATING JUNCTION TEMPERATURE
- WIDE RANGE OF PACKAGES

### APPLICATIONS

- HIGH RUGGEDNESS ELECTRONIC IGNITIONS



### ABSOLUTE MAXIMUM RATINGS

Symbol	Parameter	Value			Unit
		BU941Z	BU941ZP	BU941ZPFI	
$V_{CEO}$	Collector-Emitter Voltage ( $I_B = 0$ )	350			V
$V_{EBO}$	Emitter-Base Voltage ( $I_C = 0$ )	5			V
$I_C$	Collector Current	15			A
$I_{CM}$	Collector Peak Current	30			A
$I_B$	Base Current	1			A
$I_{BM}$	Base Peak Current	5			A
$P_{tot}$	Total Dissipation at $T_c = 25^\circ\text{C}$	180	155	65	W
$T_{stg}$	Storage Temperature	-65 to 200	-65 to 175	-65 to 175	$^\circ\text{C}$
$T_j$	Max. Operating Junction Temperature	200	175	175	$^\circ\text{C}$

# BU941Z/BU941ZP/BU941ZPFI

## THERMAL DATA

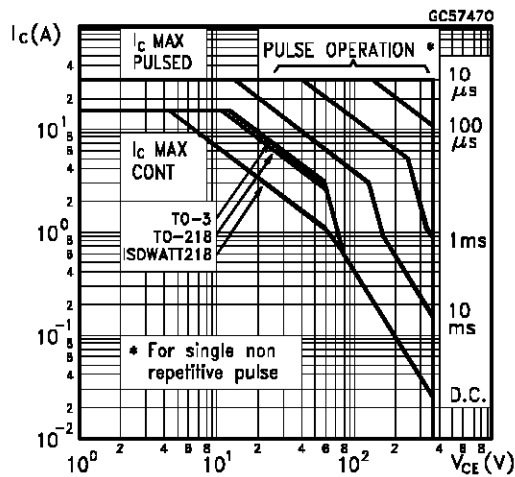
		TO-3	TO-218	ISOWATT218	
$R_{thj-case}$	Thermal Resistance Junction-case Max	0.97	0.97	2.3	$^{\circ}C/W$

## ELECTRICAL CHARACTERISTICS ( $T_{case} = 25^{\circ}C$ unless otherwise specified)

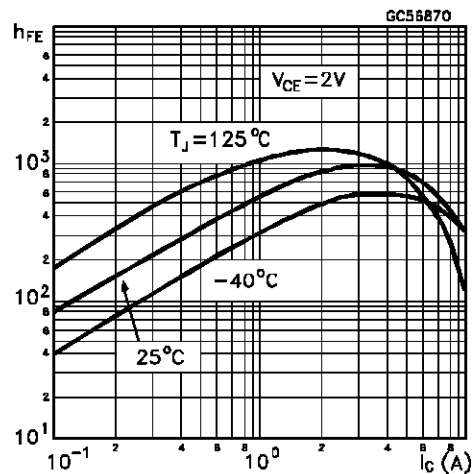
Symbol	Parameter	Test Conditions	Min.	Typ.	Max.	Unit
$I_{CEO}$	Collector Cut-off Current ( $I_B = 0$ )	$V_{CE} = 300 V$ $V_{CE} = 300 V \quad T_j = 125^{\circ}C$			100 0.5	$\mu A$ mA
$I_{EBO}$	Emitter Cut-off Current ( $I_C = 0$ )	$V_{EB} = 5 V$			20	mA
$V_{CL}^*$	Clamping Voltage	$I_C = 100 mA$	350		500	V
$V_{CE(sat)}^*$	Collector-Emitter Saturation Voltage	$I_C = 8 A \quad I_B = 100 mA$ $I_C = 10 A \quad I_B = 250 mA$ $I_C = 12 A \quad I_B = 300 mA$			1.8 1.8 2	V V V
$V_{BE(sat)}^*$	Base-Emitter Saturation Voltage	$I_C = 8 A \quad I_B = 100 mA$ $I_C = 10 A \quad I_B = 250 mA$ $I_C = 12 A \quad I_B = 300 mA$			2.2 2.5 2.7	V V V
$h_{FE}^*$	DC Current Gain	$I_C = 5 A \quad V_{CE} = 10 V$	300			
$V_F$	Diode Forward Voltage	$I_F = 10 A$			2.5	V
	Functional Test (see fig. 1)	$V_{CC} = 24 V \quad L = 7 mH$	10			A
$t_s$ $t_f$	INDUCTIVE LOAD Storage Time Fall Time (see fig. 3)	$V_{CC} = 12 V \quad L = 7 mH \quad V_{clamp} = 300 V$ $I_C = 7 A \quad I_B = 70 mA$ $V_{BE} = 0 \quad R_{BE} = 47 \Omega$		15 0.5		$\mu s$ $\mu s$

\* Pulsed: Pulse duration = 300  $\mu s$ , duty cycle 1.5 %

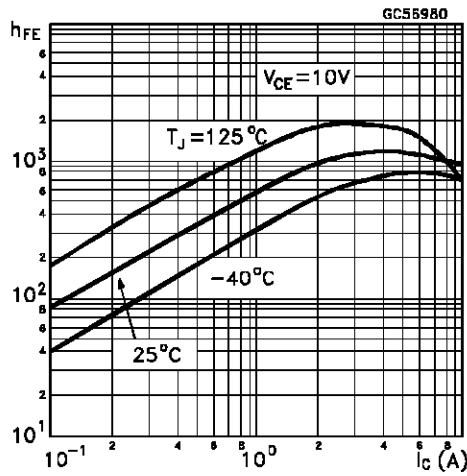
## Safe Operating Areas



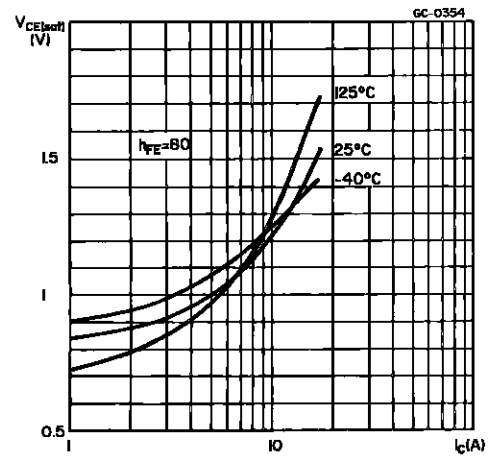
## DC Current Gain



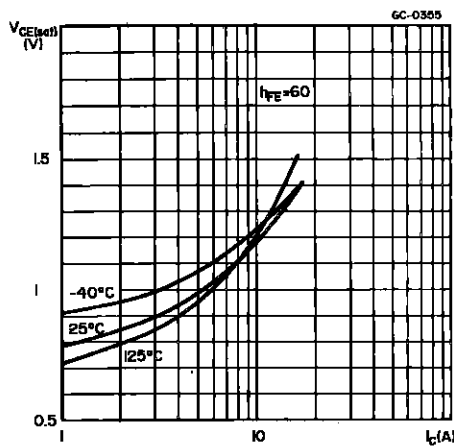
DC Current Gain



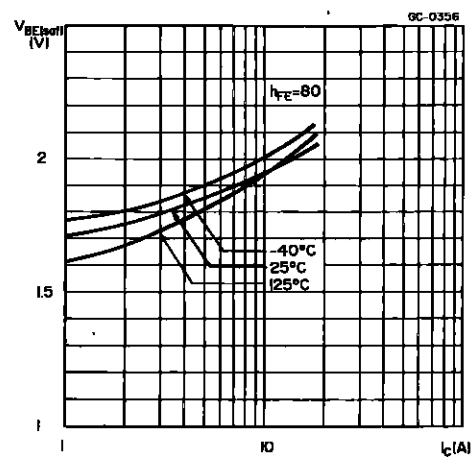
Collector-emitter Saturation Voltage



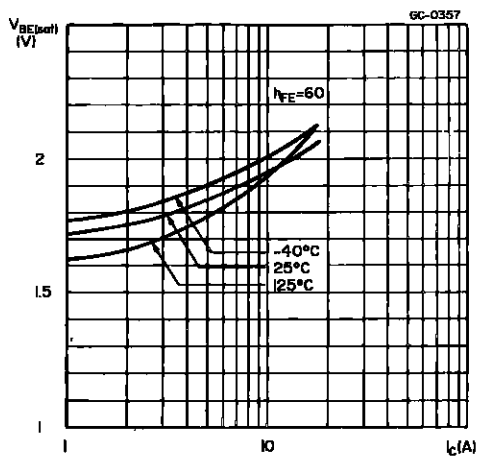
Collector-emitter Saturation Voltage



Base-emitter Saturation Voltage



Base-emitter Saturation Voltage



Collector-emitter Saturation Voltage

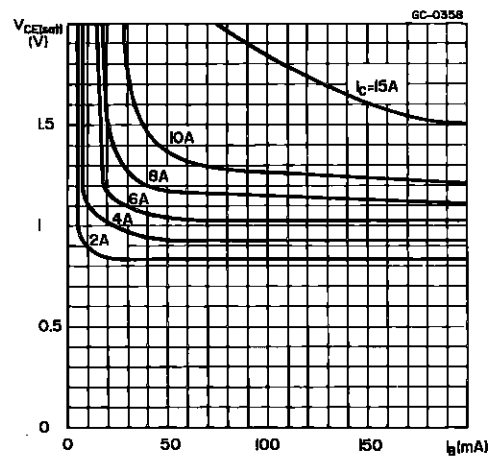


FIGURE 1: Functional Test Circuit

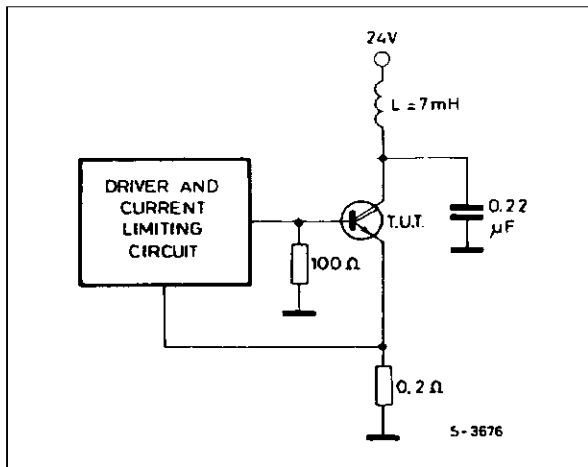


FIGURE 2: Functional Test Waveform

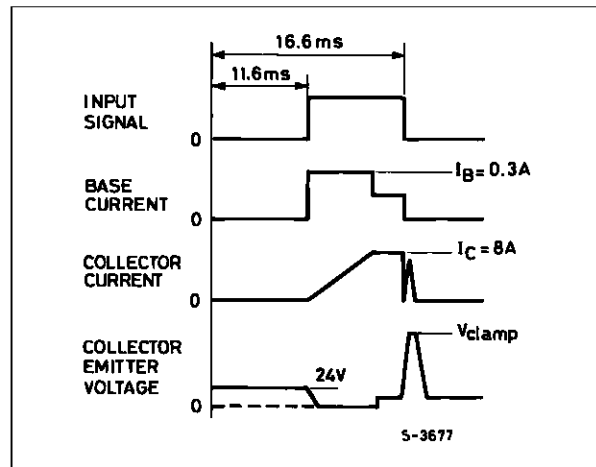
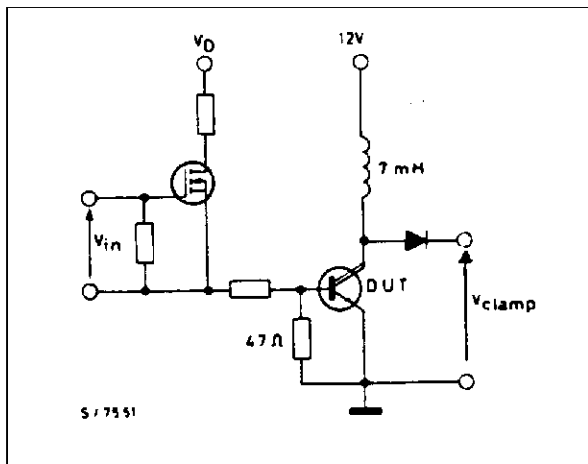
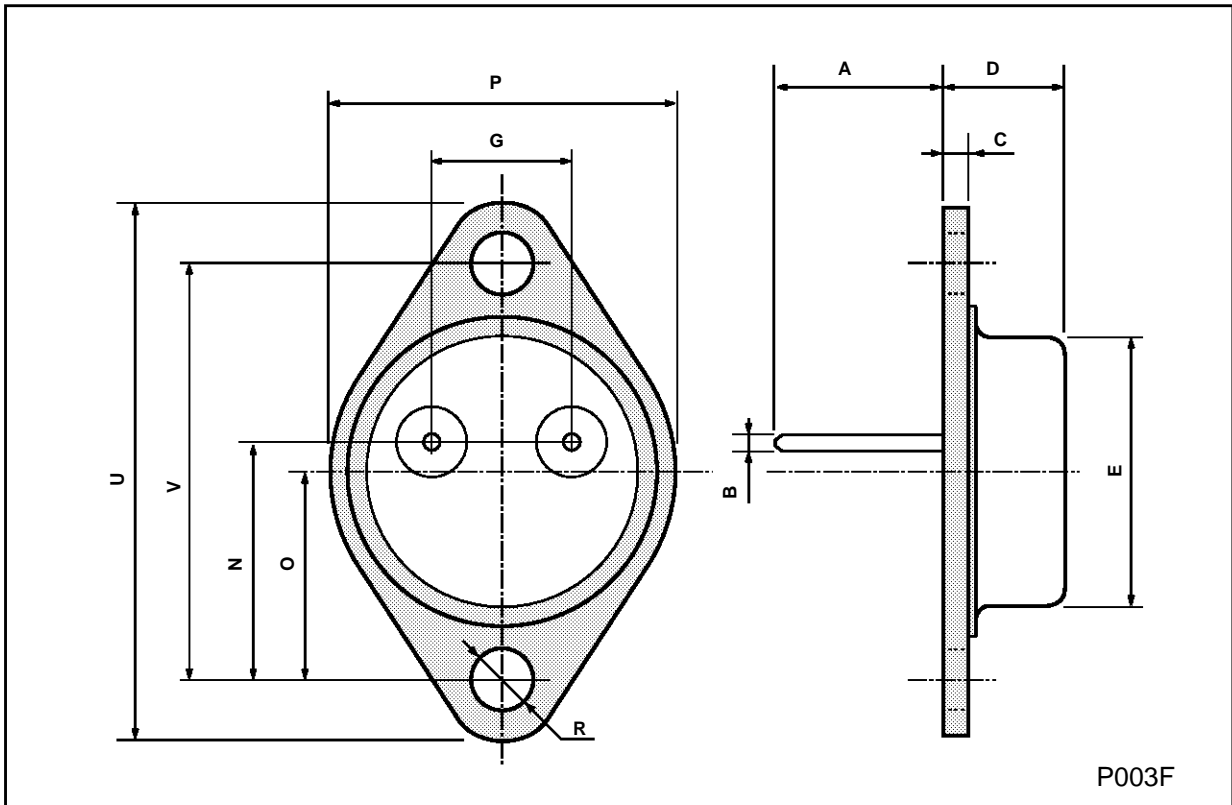


FIGURE 3: Switching Time Test Circuit



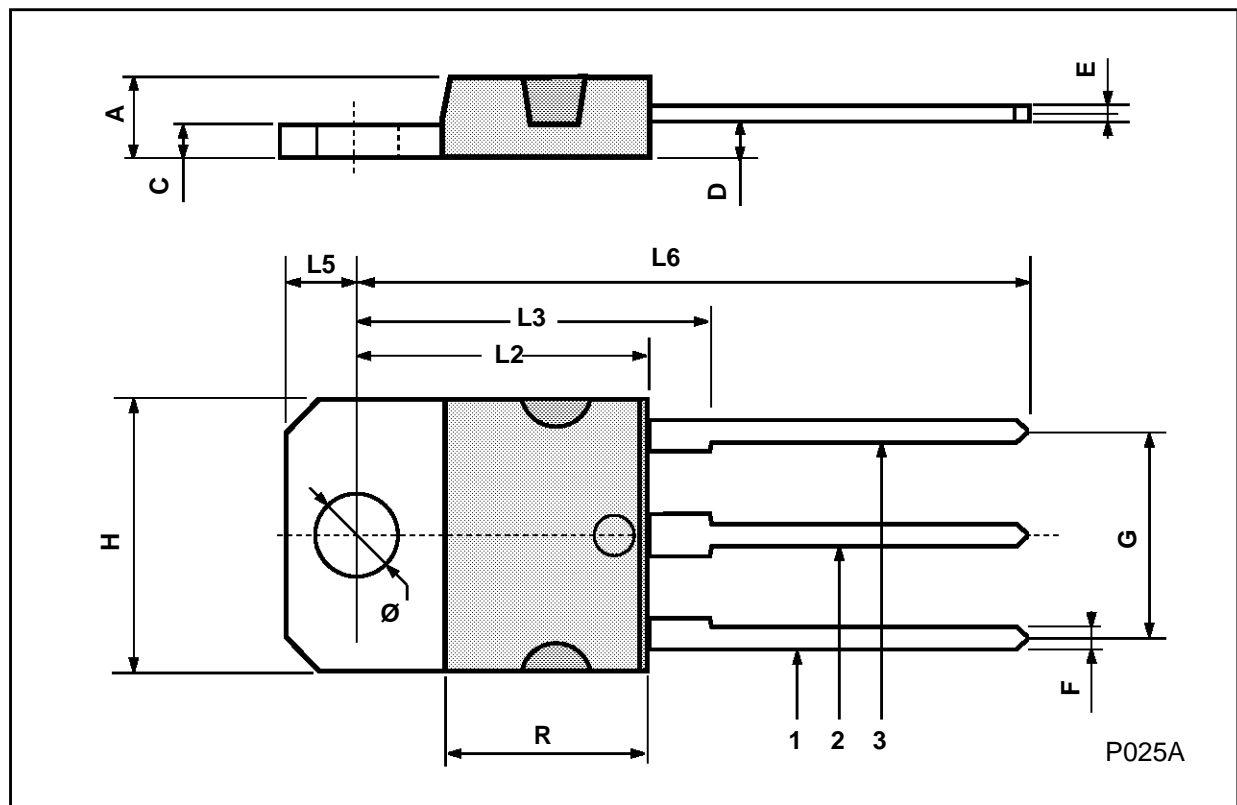
**TO-3 MECHANICAL DATA**

DIM.	mm			inch		
	MIN.	TYP.	MAX.	MIN.	TYP.	MAX.
A	11.00		13.10	0.433		0.516
B	0.97		1.15	0.038		0.045
C	1.50		1.65	0.059		0.065
D	8.32		8.92	0.327		0.351
E	19.00		20.00	0.748		0.787
G	10.70		11.10	0.421		0.437
N	16.50		17.20	0.649		0.677
P	25.00		26.00	0.984		1.023
R	4.00		4.09	0.157		0.161
U	38.50		39.30	1.515		1.547
V	30.00		30.30	1.187		1.193



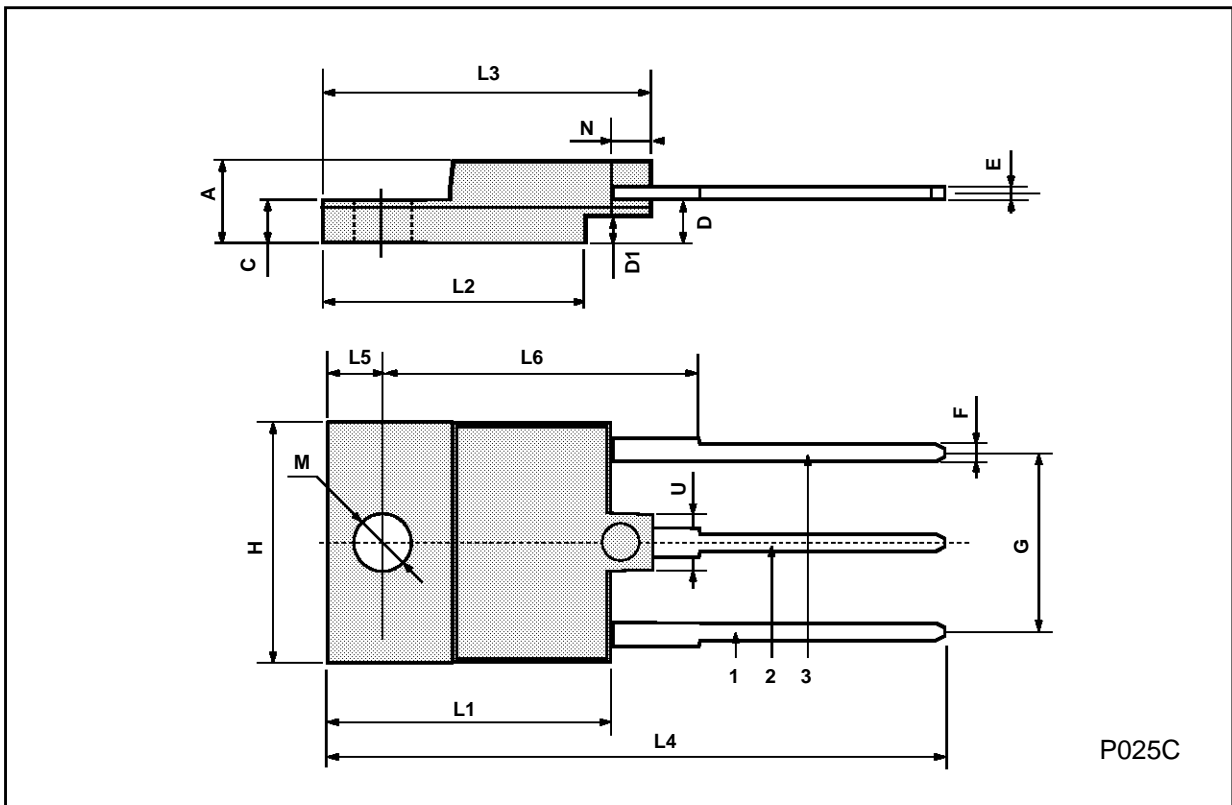
**TO-218 (SOT-93) MECHANICAL DATA**

DIM.	mm			inch		
	MIN.	TYP.	MAX.	MIN.	TYP.	MAX.
A	4.7		4.9	0.185		0.193
C	1.17		1.37	0.046		0.054
D		2.5			0.098	
E	0.5		0.78	0.019		0.030
F	1.1		1.3	0.043		0.051
G	10.8		11.1	0.425		0.437
H	14.7		15.2	0.578		0.598
L2	–		16.2	–		0.637
L3		18			0.708	
L5	3.95		4.15	0.155		0.163
L6		31			1.220	
R	–		12.2	–		0.480
∅	4		4.1	0.157		0.161



**ISOWATT218 MECHANICAL DATA**

DIM.	mm			inch		
	MIN.	TYP.	MAX.	MIN.	TYP.	MAX.
A	5.35		5.65	0.210		0.222
C	3.3		3.8	0.130		0.149
D	2.9		3.1	0.114		0.122
D1	1.88		2.08	0.074		0.081
E	0.45		1	0.017		0.039
F	1.05		1.25	0.041		0.049
G	10.8		11.2	0.425		0.441
H	15.8		16.2	0.622		0.637
L1	20.8		21.2	0.818		0.834
L2	19.1		19.9	0.752		0.783
L3	22.8		23.6	0.897		0.929
L4	40.5		42.5	1.594		1.673
L5	4.85		5.25	0.190		0.206
L6	20.25		20.75	0.797		0.817
M	3.5		3.7	0.137		0.145
N	2.1		2.3	0.082		0.090
U		4.6			0.181	



Information furnished is believed to be accurate and reliable. However, SGS-THOMSON Microelectronics assumes no responsibility for the consequences of use of such information nor for any infringement of patents or other rights of third parties which may result from its use. No license is granted by implication or otherwise under any patent or patent rights of SGS-THOMSON Microelectronics. Specifications mentioned in this publication are subject to change without notice. This publication supersedes and replaces all information previously supplied. SGS-THOMSON Microelectronics products are not authorized for use as critical components in life support devices or systems without express written approval of SGS-THOMSON Microelectronics.

© 1994 SGS-THOMSON Microelectronics - All Rights Reserved

SGS-THOMSON Microelectronics GROUP OF COMPANIES  
Australia - Brazil - France - Germany - Hong Kong - Italy - Japan - Korea - Malaysia - Malta - Morocco - The Netherlands -  
Singapore - Spain - Sweden - Switzerland - Taiwan - Thailand - United Kingdom - U.S.A